



Ty-Rap®

T&B Catalog Number:

TC102

UPC Number:

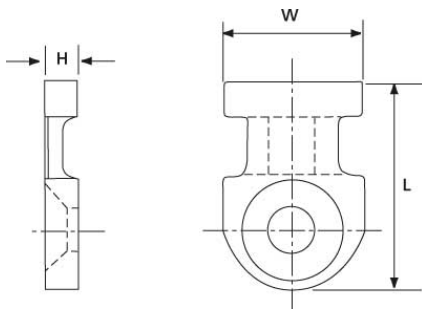
78621082242

Description:

Cable Tie 2-Way Miniature Mounting Base
.5x.75" Natural Nylon 6.6 Screw Mounting-
#8 Screw For Use with Cable Ties Up to 50
lbs.

Status:

Active



Features

These miniature mounting bases are ideal for high-density packaging. Threaded insert permits screw to come from outside of mounting surface.

General

Material	Nylon 6.6
Color	Natural
Mounting Method	Screw
Stud Size	#8 Screw
Max Tie Width Accepted For Cable Ties	.19 Up to 50 lbs.

Dimension Information

Length (inches)	.75
Width (inches)	.500

Specifications

Temperature Rating	-40°F to 185°F
Flammability Rating	UL 94 V-2

Packaging

T&B Order Multiple	1000
T&B Inner Pack	1000
Package in Units	10000
Package Type	Bulk
T&B Sold in UOM	Each
T&B Weight Per UOM	0.11 lbs. per 100

Application Support

Material Selection Guide	Available on Website
--------------------------	----------------------

Certifications

RoHS Compliance	Yes
-----------------	-----

Certifications



Cable Tie Mounting Bases



Ideal for high-density packaging!

Low-Profile Two-Way Miniature Mounting Bases

- Simply slip Ty-Rap® cable tie under slot in fastened mount, and attach bundle



STD. PKG. CAT. NO.	BULK PKG. CAT. NO.	MOUNTING METHOD	MAXIMUM			STD. PKG. QTY.	BULK PKG. QTY.
			TIE WIDTH ACCOM.	WIDTH IN./MM.	LENGTH IN./MM.		
TC502	TC102	#8 screw	.19	.50/12.70	.75/19.05	100	1,000
—	TC104	#5 screw	.09	.32/8.03	.41/10.31	—	1,000
—	TC804-TB	#2 screw	.09	.32/8.03	.40/10.31	—	1,000
—	TC112-TB	#8 screw	.19	.38/9.53	.75/19.05	—	1,000
—	TC812-TB	#10 screw	.19	.38/9.53	.75/19.05	—	1,000
—	TC814-TB	#5 screw	.19	.38/9.53	.75/19.05	—	1,000

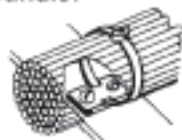
Threaded insert permits screws to come from outside of mounting surface.

Natural nylon color.

For use in temperatures ranging from -40° F to 185° F (-40° C to 85° C).

Installs in-line with the wire bundle!

In-Line Mounting Base



BULK CAT. NO.	MOUNTING METHOD	WIDTH ACCOM. IN./MM.	MAX. TIE WIDTH IN./MM.	LENGTH IN./MM.	BULK PKG. QTY.
TC815-TB	#10 screws	.30/.762	.75/19.05	1.13/28.58	500

A standard 2-hole base that installs in-line with the wire bundle that conceals it.

Natural nylon color.

For use in temperatures ranging from -40° F to 185° F (-40° C to 85° C).

Miniature Base



STD. PKG. CAT. NO.	BULK PKG. CAT. NO.	MOUNTING METHOD	MAX. TIE WIDTH ACCOM.	LENGTH IN./MM.	WIDTH IN./MM.	MATERIAL	STD. PKG. QTY.	BULK PKG. QTY.
—	TC817-TB	TC2PA	.19	.44/11.10	.44/11.10	Nylon 6/6	—	1,000

Natural nylon color.

For use in temperatures ranging from -40° F to 185° F (-40° C to 85° C).

Handles ties installed in either direction!

Low-Profile Four-Way Mounting Base



STD. PKG. CAT. NO.	BULK PKG. CAT. NO.	MOUNTING METHOD	MAXIMUM			STD. PKG. QTY.	BULK PKG. QTY.
			TIE WIDTH ACCOM.	WIDTH IN./MM.	LENGTH IN.		
—	TC826-TB	#8 screw	.19	.50/12.70	1/25.40	—	1,000
TC5828	TC828-TB	#8 screw	.19	.39/9.91	.88/22.23	100	1,000

The TC826-TB mounting base can be used to tie bundles running parallel or perpendicular to length of base.

The TC828-TB mounting plate also handles ties installed in either direction a net is somewhat smaller than TC826.

Natural nylon color.

For use in temperatures ranging from -40° F to 185° F (-40° C to 85° C).

Four-way screw mounts for cable ties up to 50-lb. (222 N) tensile strength!

Four-Way Mount

- Mount with #6 or #8 screws
- Available in 6.6 natural nylon



STD. PKG. CAT. NO.	BULK PKG. CAT. NO.	H IN./MM.	L IN./MM.	W IN./MM.	SLOT W IN./MM.	MOUNT SCR	STD. PKG. QTY.	BULK PKG. QTY.
—	SMNY-220-9-0	23/5.84	95/25.13	.50/12.70	.22/5.59	#6, #8	—	500
—	SMNY-000-9-0	27/6.86	57/14.48	.34/8.64	.12/3.05	#4	—	500
—	SMNY-001-9-0	28/7.11	80/15.24	.39/9.78	.20/5.08	#6, #8	—	500
SMNY-002-9-C	SMNY-002-9-0	39/9.91	88/22.23	.63/15.88	.33/8.26	#8, #10	100	500
—	SMNY-002-9-0	39/9.91	88/22.23	.63/15.88	.33/8.26	#8, #10	—	500
—	SMNY-001-0-0	28/7.11	80/15.24	.39/9.78	.20/5.08	#6, #8	—	500
SMNY-002-0-C	SMNY-002-0-0	39/9.91	88/22.23	.63/15.88	.33/8.26	#8, #10	100	500
—	SMNY-002-0-0	39/9.91	88/22.23	.63/15.88	.33/8.26	#8, #10	—	500

Natural nylon color.

For use in temperatures ranging from -40° F to 185° F (-40° C to 85° C).

